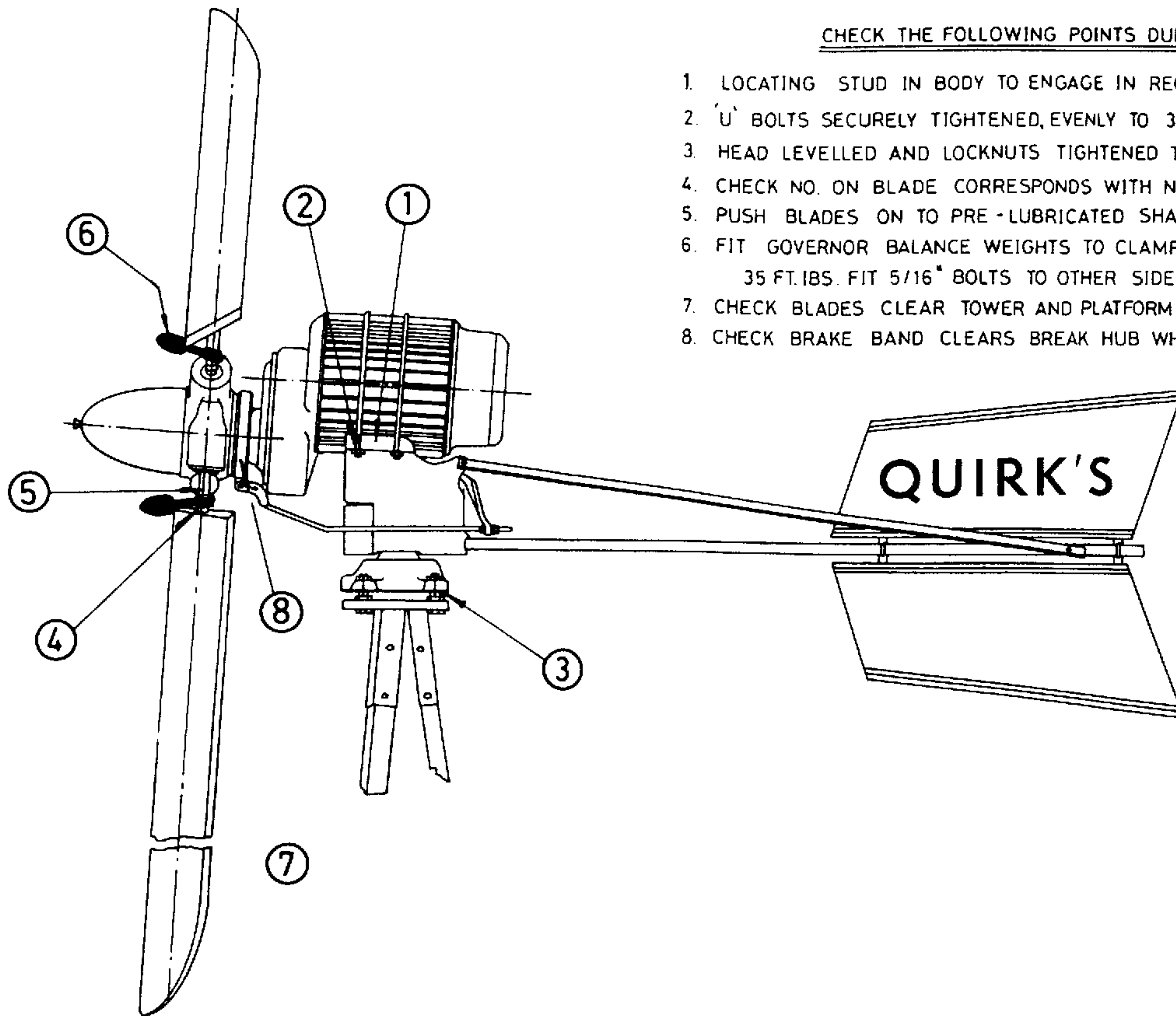


CHECK THE FOLLOWING POINTS DURING INSTALLATION.

1. LOCATING STUD IN BODY TO ENGAGE IN RECESS PROVIDED IN HEAD. BASE.
2. 'U' BOLTS SECURELY TIGHTENED, EVENLY TO 35-40 FT. IBS.
3. HEAD LEVELLED AND LOCKNUTS TIGHTENED TO 40-45 FT. IBS.
4. CHECK NO. ON BLADE CORRESPONDS WITH NO. STAMPED ON HUB.
5. PUSH BLADES ON TO PRE-LUBRICATED SHAFT AND FIT OUTER BOLT.
6. FIT GOVERNOR BALANCE WEIGHTS TO CLAMP. TIGHTEN BALANCE WEIGHTS TO 35 FT. IBS. FIT 5/16" BOLTS TO OTHER SIDE OF CLAMP AND TIGHTEN TO 16 FT. IBS.
7. CHECK BLADES CLEAR TOWER AND PLATFORM WHEN IN FULL FEATHERING POS'N.
8. CHECK BRAKE BAND CLEARS BREAK HUB WHEN IN RELEASED POS'N.



ISSUE _____
No. _____
DATE _____

QUIRK'S VICTORY LIGHT CO.
33 FAIRWEATHER STREET
BELLEVUE HILL N.S.W.
P.O. Box 197, Bondi Junction
Telephone: 38 6630
Telegrams and Cables:
"QUIRKLITE SYDNEY"

DIMENSIONAL DRAWING

CAPACITY RANGE TO K.V.A.

MODEL No. PLANT INSTALLATION INSTRUCTION.

TYPE WINDRIVEN.

DR. No. **2507-B**